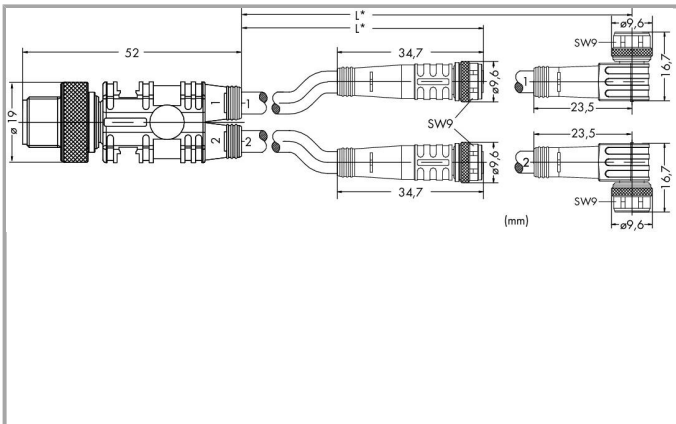
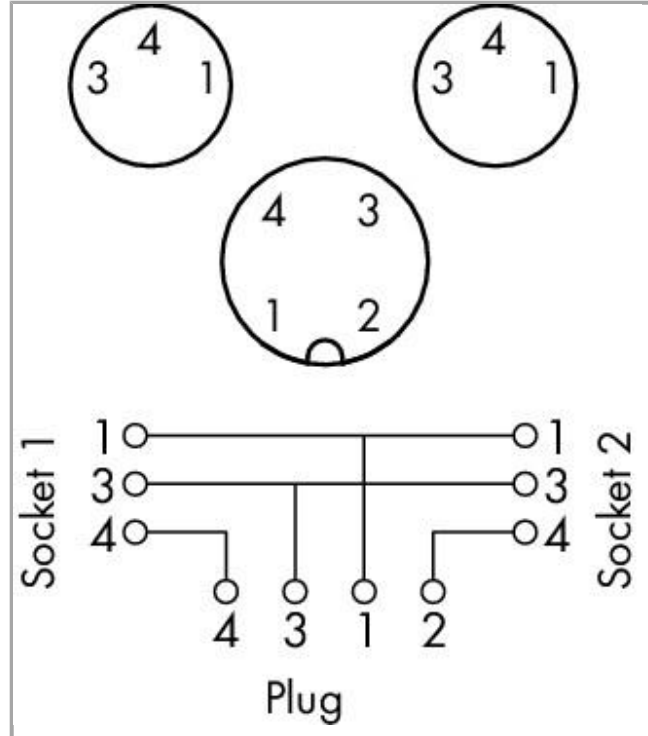


Data sheet | Item number: 756-5514/040-010

Sensor/actuator distribution cable; fitted on both ends; 4-pole; 2 x M8 socket, angled; M12 plug, straight; 1 m



756-5514/040-010



Pin 1 - 4: 0.34 mm²

Item description

Short description:

- PUR, halogen-free
- Suitable for drag chains
- Good resistance to microbes, hydrolysis, oil, chemicals and UV radiation.
- Good chemical resistance.
- Cable used: UL listed

Data**Technical Data**

| | |
|---|---------------------------------|
| Connection type | M8 socket; M8 socket - M12 plug |
| No. of poles | 4 |
| Leitungsanschlussrichtung zur Steckrichtung | 90° |
| Leitungsanschlussrichtung zur Steckrichtung (2) | 0° |
| Steckgesichtskodierung Leitung/Adapter 2 1 | A coded |
| Cable length | 1 m |
| Operating voltage | AC/DC 60 V |
| Operating current | 4 A |
| Rated surge voltage | 1,5 kV |

Mechanical data

| | |
|-------------------------------|--|
| Bending cycles | 2 Mio. |
| Schleppkettentauglichkeit | yes |
| Color of sheathed cable | black |
| Durchmesser der Mantelleitung | 3.9 ... 4.3 mm |
| Sheath material | Polyurethane (OPUR), halogen-free per DIN VDE 0472 Part 815, flame resistant per IEC 332-2, self-extinguishing |
| Halogen-free | Yes |
| Housing material | Polyurethan (PUR) |
| Contact material | CuSn |
| Contact plating | CuNi/Au |
| Tightening torque | 0.6 ... 1 Nm |
| Weight | 72 g |

Environmental Requirements

| | |
|--------------------------------------|--------------------|
| Umgebungstemperatur (Betrieb) bewegt | -25 ... +90 °C |
| Umgebungstemperatur (Betrieb) ruhend | -50 ... +90 °C |
| Protection class | IP67 |
| Degree of pollution (5) | 3 acc. to VDE 0110 |



Commercial data

| | |
|--------------------|---------------|
| Country of origin | DE |
| GTIN | 4044918994835 |
| Customs Tariff No. | 85444290900 |

Downloads

Documentation

System Description

| | | |
|--------------------------------------|-----------------|----------|
| IP67 Cables and Pluggable Connectors | pdf 293.9 kB | Download |
|--------------------------------------|-----------------|----------|

Subject to changes.